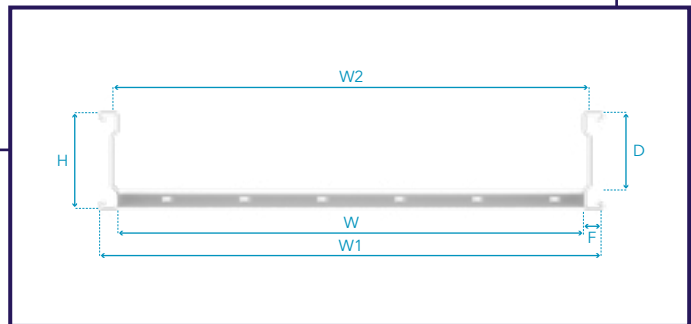
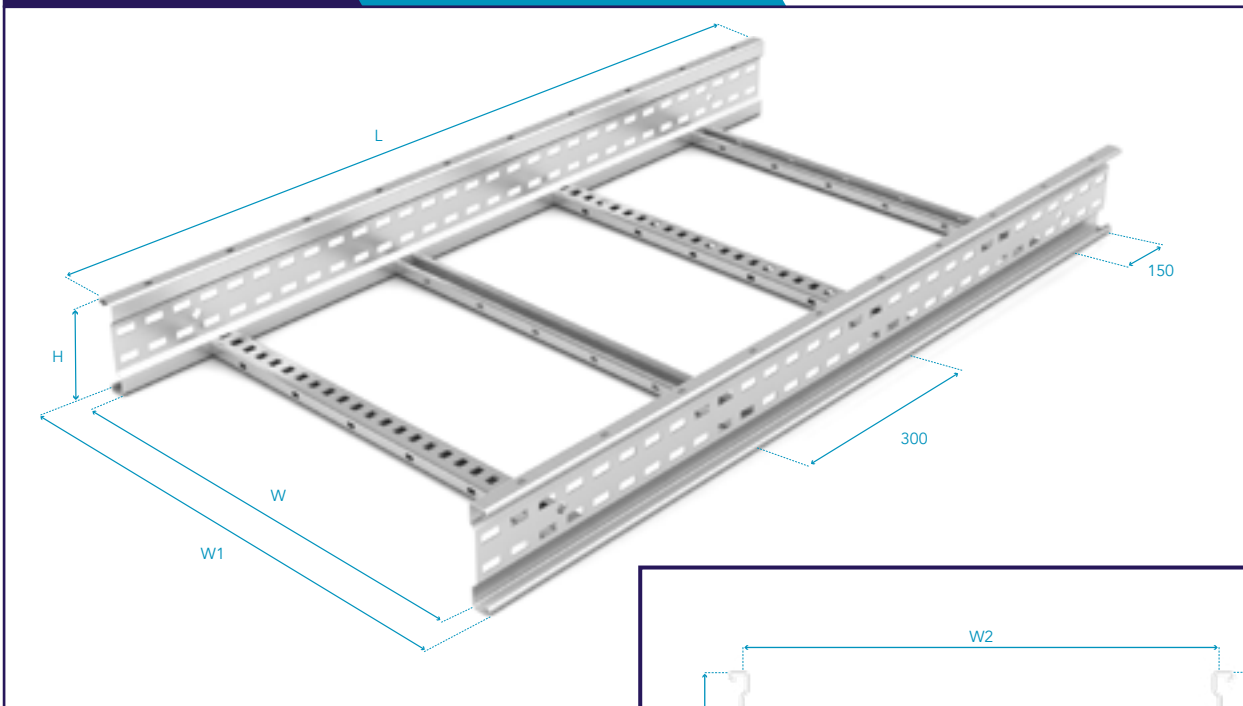


Speedway SW5 Cable Ladder

Speedway 5 (SW5) Heavy Duty Cable Ladder is manufactured in 3.0m lengths as standard with 6.0m lengths supplied to order. The cable ladder is available in standard widths of 150mm, 300mm, 450mm, 600mm, 750mm and 900mm, widths of 100mm up to 1500mm, in 50mm increments, are available to order. Rung spacing is 300mm as standard.

System Type: **SW5**

SW5-SL LENGTH-WIDTH- \circ



Part Number	No. of Rungs	Dimensions (mm)				Weight (kg)
		W	W1	L	H	
SW5-SL3-150-O	10	150	200	3000	125	15.3
SW5-SL3-300-O		300	350			16.96
SW5-SL3-450-O		450	500			18.63
SW5-SL3-600-O		600	650			20.29
SW5-SL3-750-O		750	800			24.73
SW5-SL3-900-O		900	950			26.95

Height	H	125mm
Loading Depth	D	100mm
Ladder Width	W	100mm to 1500mm
Maximum Internal Width	W2	W + 14mm
Overall Width	W1	W + 50mm
Flange Width	F	25mm

Finishes & Materials:



Supplied with:



\circ = Select a Finish & Material

Weights shown are for standard hot dip galvanised finish only, for Stainless Steel and Silicon Rich Steel weight conversion factors please refer to the Engineering Data Section of our catalogue (Page 213).