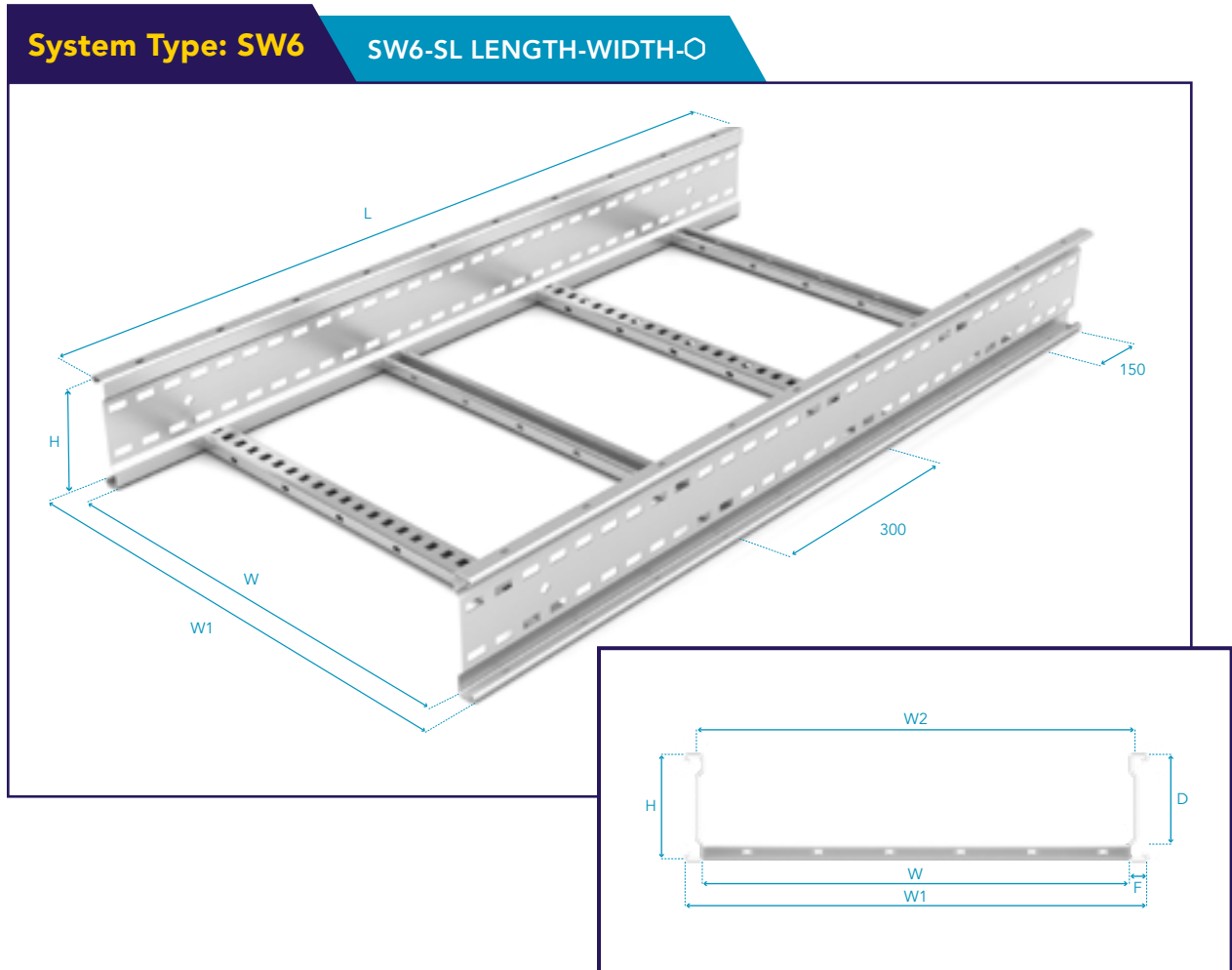


Speedway SW6 Cable Ladder

Speedway 6 (SW6) Extra Heavy Duty Cable Ladder is manufactured in 3.0m lengths as standard with 6.0m lengths supplied to order. The cable ladder is available in standard widths of 150mm, 300mm, 450mm, 600mm, 750mm and 900mm, widths of 100mm up to 1500mm, in 50mm increments, are available to order. Rung spacing is 300mm as standard.



Part Number	No. of Rungs	Dimensions (mm)				Weight (kg)
		W	W1	L	H	
SW6-SL3-150-O	10	150	200	3000	150	23.12
SW6-SL3-300-O		300	350			25.35
SW6-SL3-450-O		450	500			27.57
SW6-SL3-600-O		600	650			29.79
SW6-SL3-750-O		750	800			32.01
SW6-SL3-900-O		900	950			34.23

O = Select a Finish & Material

Weights shown are for standard hot dip galvanised finish only, for Stainless Steel and Silicon Rich Steel weight conversion factors please refer to the Engineering Data Section of our catalogue (Page 213).

Height	H	150mm
Loading Depth	D	125mm
Ladder Width	W	100mm to 1500mm
Maximum Internal Width	W2	W + 14mm
Overall Width	W1	W + 50mm
Flange Width	F	25mm

Finishes & Materials:



Supplied with:

